

Outstanding Visibility with Reliable Performance

75XF3C-B

There is increasing demand for outdoor signage for delivering information and advertisement. With high-brightness and reliable performance, the open frame 75XF3C-B is able to achieve these goals effectively in any location.

Route	Time
22	5min
27	1min
39	3min



Beach
Apartments

Starting on
\$49,999

Inspiring green foliage on 14 acres, a new wonderful residential complex with spacious villas and beautiful landscapes, Beaches sitting around the complex.
Make a home here today!!

Outstanding Visibility with Reliable Performance

75XF3C-B

Outstanding Visibility

High Brightness

With a great brightness of 3,000 nits, the 75XF3C-B clearly delivers contents and attract public attention, which is the ultimate display for outdoor visibility.



Visible with Polarized Sunglasses

Quarter wave plate enables clear visibility even when the viewer is wearing polarized sunglasses.



Outstanding Visibility with Reliable Performance

75XF3C-B

Product Reliability

High Operating Temperature

Its high reliability under high operating temperatures makes the 75XF3C-B an excellent choice for outdoor signage.



Conformal Coating

The product can be often unavoidably exposed to dust and water during maintenance. Conformal coating on every major circuit board protects against dust, iron powder, humidity, etc.



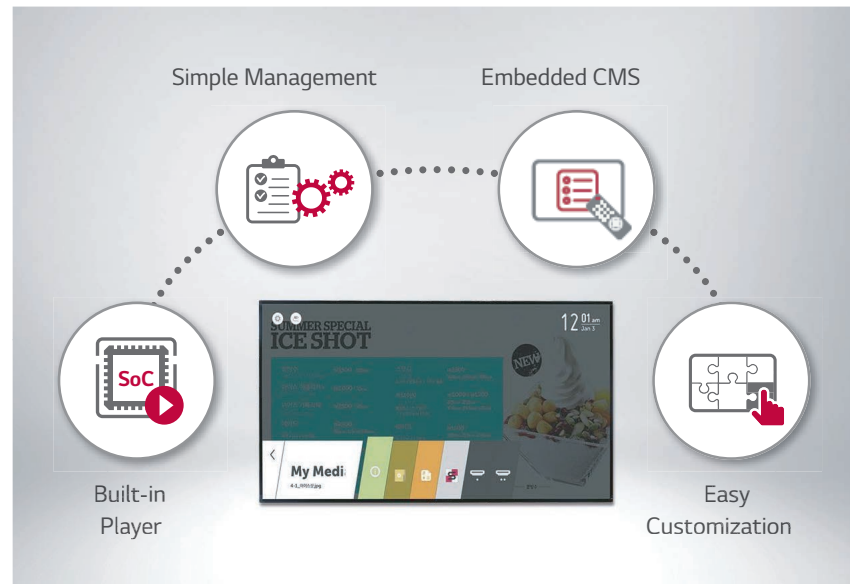
Outstanding Visibility with Reliable Performance

75XF3C-B

High Performance

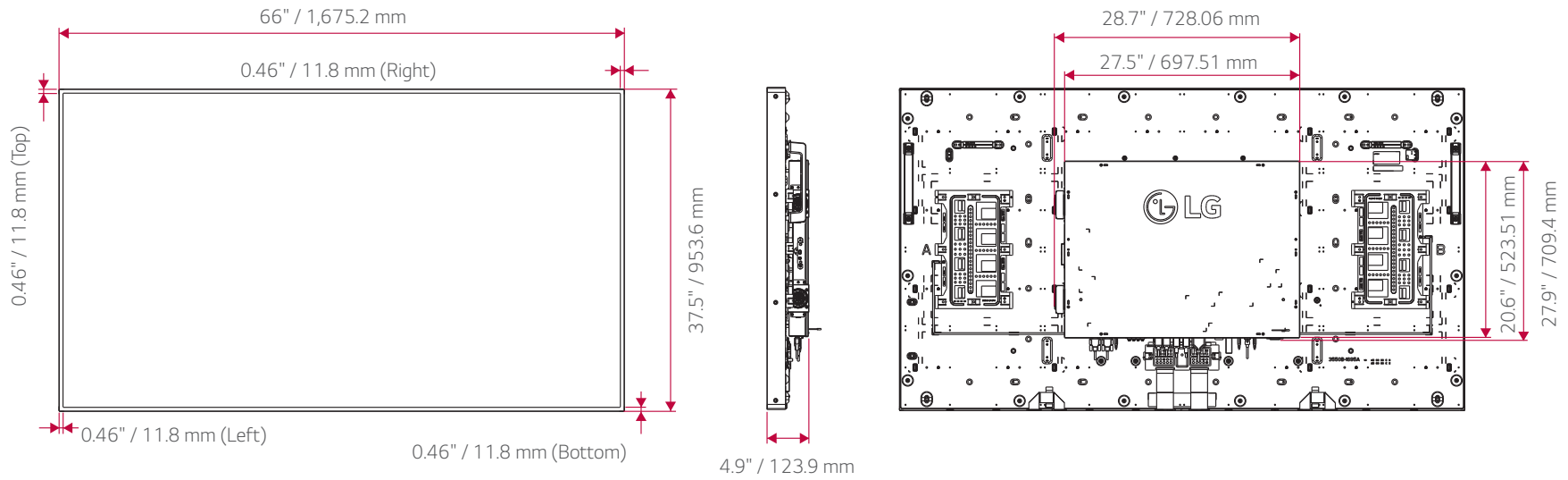
webOS Smart Platform

The 75XF3C-B has a system on chip that can execute several tasks at the same time without a separate media player. In addition, webOS 3.0 platform enhances user convenience with intuitive UI and simple app development tools.



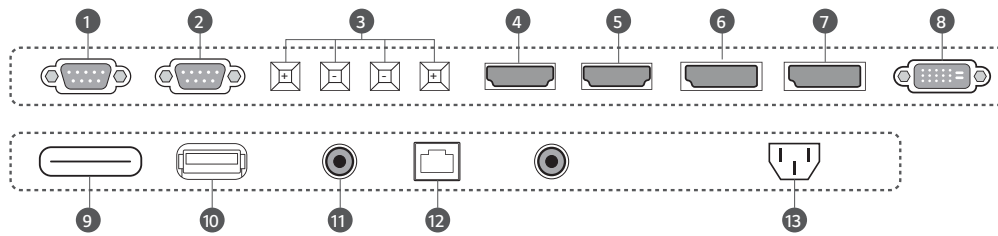
Dimensions

75XF3C-B



Connectivity

75XF3C-B



- | | | |
|---------------------|------------|--------------|
| 1 RS232C IN | 6 DP IN | 11 AUDIO IN |
| 2 RS232C OUT | 7 DP OUT | 12 LAN |
| 3 SPEAKER OUT (8 Ω) | 8 DVI-D IN | 13 AC IN |
| 4 HDMI IN 1 | 9 SD CARD | 14 AUDIO OUT |
| 5 HDMI IN 2 | 10 USB IN | |

Specifications

75XF3C-B

PANEL	Screen Size	75" (74.52" Measured Diagonal)	
	Panel Technology	IPS, M+ (WRGB)	
	Aspect Ratio	16 : 9	
	Native Resolution	3,840 x 2,160 (UHD)	
	Brightness	3,000 nits (Typ.), 2,400 nits (Min.)	
	Contrast Ratio (Typ.)	1,200 : 1	
	Viewing Angle (H x V)	178° x 178°	
	Color Depth	1.07 Billion	
	Surface Treatment	Haze 3%, QWP	
	Lifetime	Up to 50,000 Hrs	
	Operation Hours	24 Hrs	
Orientation	Landscape & Portrait		
CONNECTIVITY	Input	HDMI (x2), DP, DVI-D, Audio, USB, SD Card	
	Output	DP, External Speaker	
	External Control	RS232C In/out, RJ45 In, IR	
PHYSICAL SPECIFICATION	Bezel Color	Black	
	Bezel Width	11.8 mm (Even)	
	Monitor DimensionDimensions (W x H x D)	66.0 x 37.5 x 4.9 in. 1,675.2 x 953.6 x 123.9 mm	
	Weight	80.9 lbs. / 36.7 kg	
	Shipping Dimensions (W x H x D)	71.5 x 43.5 x 11.2 in. 1,816 x 1,106 x 285 mm	
	Shipping Weight	102.1 lbs. / 46.3 kg	
	VESA™ Standard Mount Interface	N/A	
Cooling Fan	Yes (x2)		
SPECIAL FEATURES	Temperature Sensor, Cooling Fan, Auto Brightness Sensor, Energy Saving, Smart Energy Saving, Tile Mode (up to 15 x 15), Natural Mode@Tile Mode, Source Selection, Brightness/Contrast/Backlight, DPM Select, File Play with USB, Internal Memory (8GB, System 4GB + Available 4GB), Wi-Fi Dongle Ready		
ENVIRONMENT CONDITIONS	Operation Temperature ¹⁾	32°F to 122°F / 0°C to 50°C	
	Operation Humidity	10% to 85%	
POWER	Power Supply	100-240 Vac, 50/60 Hz	
	Power Type	Built-In Power	
	Power Consumption	Typ./Max.	660 W / 695 W
		Smart Energy Saving	320 W
SOUND	Speakers	20 W (10 W x 2) for External Speaker	
STANDARD (CERTIFICATION)	Safety	IEC 60950-1 / EN 60950-1 / UL 60950-1	
	EMC	FCC Class "A" / CE / KC / VCCI	
SOFTWARE COMPATIBILITY ²⁾	Content Management Software	SuperSign CMS	
	Control and Monitoring Software	SuperSign Control+ / Control	
ACCESSORIES	Basic	Remote Controller, Power Cord, HDMI Cable, IR Extension Kit, Manual (ESG&EIG)	
	Optional	Wi-Fi Accessory (AN-WF500)	

1) Without direct sunlight or with cooling systems in direct sunlight 2) Software compatibility may change over time. Please contact LG sales representative for details.